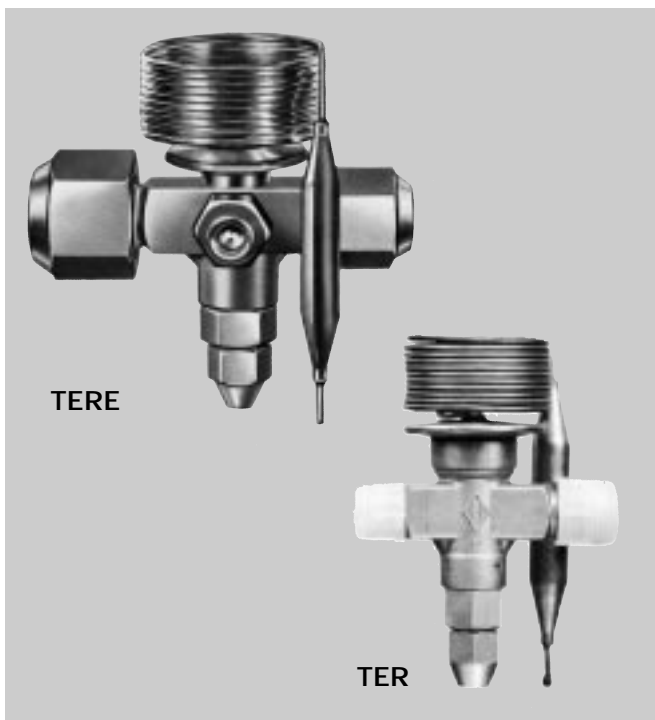


Series TER/TERE

Thermostatic expansion valves with internal/external pressure equalizer

Specification-Data



Application for general use

- Air-conditioning, refrigeration and freezer units.
- Heat pumps.
- Refrigeration for vans and trucks in units which have one or several evaporators.

Capacity

The indicated nominal capacity is related to - 10 °C (14 °F) evaporating temperature and 35 °C (95 °F) condensing temperature at 1 K subcooling of refrigerant. For other temperature conditions – please refer to capacity tables.

Superheat

Factory-setting: 4 K

- Normal and air-conditioning range related to bulb temperature 0 °C (32 °F).
- Low temperature range related to bulb temperature which corresponds to 1 bar (14 lbs. per □ inch) evaporating pressure (according to refrigerant).

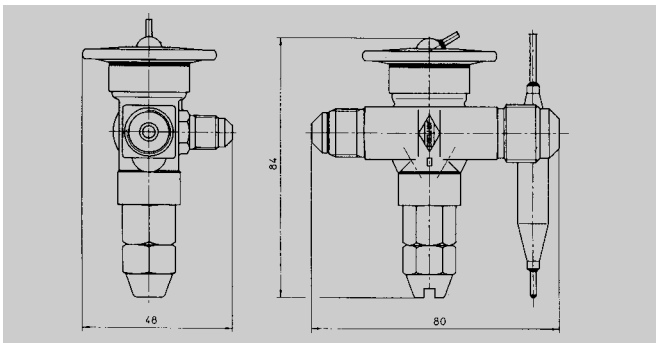
Technical Data

Type	Size	Nominal capacity in kW (ton)				Thread UNF		Tube connections				Available for refrigerant	Weight	
		R 134 a	R 22	R 404 A	R 507	Inlet conn.	Outlet conn.	Inlet mm.	inch	Outlet mm.	inch		TER	TERE
TER(E)	0,5	1,1 (0,31)	0,86 (0,40)	1,5 (0,29)	1,0 (0,29)	5/8	3/4	6	1/4	10	3/8	R 134 a R 22 R 404 A R 507 other refrigerant on inquiry	370	400
TER(E)	1	1,7 (0,49)	2,1 (0,60)	1,6 (0,46)	1,6 (0,46)	5/8	3/4	6	1/4	12	1/2		370	400
TER(E)	2	3,4 (0,98)	4,3 (1,24)	3,1 (0,89)	3,1 (0,89)	5/8	3/4	6	1/4	12	1/2		370	400
TER(E)	3	7,1 (2,04)	9,4 (2,70)	6,7 (1,93)	6,7 (1,93)	5/8	3/4	10	3/8	12	1/2		370	400
TER(E)	4	9,6 (2,76)	12,4 (3,56)	9,0 (2,59)	9,0 (2,59)	5/8	7/8	10	3/8	16	5/8		-	430
TERE)	5	16,7	21,6	15,7	15,7	3/4	7/8	12	1/2	16	5/8		690	
TERE)	5	16,7	21,6	15,7	15,7	7/8	7/8	16	5/8	16	5/8		720	
TERE)	6	23,7	30,8	22,7	22,7	3/4	7/8	12	1/2	16	5/8		690	
TERE)	6	23,7	30,8	22,7	22,7	7/8	7/8	16	5/8	16	5/8	720		

Adjustment

One complete revolution of the adjusting screw effects an alteration of the superheat setting by approx. 0,3 bar (4,2 lbs. per □ inch).

- Clockwise rotation
= higher superheat
- Counter-clockwise rotation
= lower superheat



Special construction features

Diaphragm valve with stainless steel head, brass valve body
 maximum test pressure: 28 bar (392 lbs. per \square inch)
 rupture pressure > 100 bar (1400 lbs. per \square inch)
 length of capillary: 1,5 m
 connection for pressure equalizer: 7/16" UNF-screws.
 maximum permissible temperature on the bulb:
 liquid charge: 70 °C (158 °F)
 gas charge: 200 °C (392 °F)
 maximum permissible temperature on the valve body:
 100 °C (212 °F)

Data requested when ordering

- valve type
- size
- refrigerant
- range

If special construction is requested, please state in addition:

- pressure limit
- tube connections inlet/outlet.

Installation

Valve can be mounted in any position. In order to avoid influences on the bulb, we recommend to insulate the bulb (please refer to installation instructions).

Valves with pressure limited gas-charge should not be installed with thermal head downward. Within a MOP valve the bulb should be the coldest spot i.e. capillary must not touch the evaporator.

Identification

- type
- size
- refrigerant
- liquid charge: "F" follows the refrigerant
- pressure limited gas-charge: MOP is marked on the valve or
- code-no.

Thermal charge

Standard construction equipped with liquid charge for normal and air-conditioning range "N + K". Range of evaporating temperature 20 °C to -40 °C (69 °F to -39 °F).

T-range with pressure limited gas charge.

TER/TERE valves are available also in N + K range with pressure limited gas-ballast charge (other pressure limit available on request).

		R 134a	R 22	R 404 A	R 507	
Refrigerator and air-conditioning range "N + K"	Range of evaporating temperature	from °C (°F)	10 (50)	10 (50)	10 (50)	10 (50)
		to °C (°F)	-40 (-40)	-40 (-40)	-40 (-40)	-40 (-40)
	Pressure limit	bar (lbs. per \square inch)	4,2 (59)	6,8 (95)	8,2 (116)	8,4 (118)
		°C (°F)	10 (50)	10 (50)	10 (50)	10 (50)
Low temperature range "T"	Range of evaporating temperature	from °C (°F)	-10 (14)	-20 (-4)	-20 (-4)	-20 (-4)
		to °C (°F)	-40 (-40)	-60 (-76)	-60 (-76)	-60 (-76)
	Pressure limit	bar (lbs. per \square inch)	2,0 (28)	2,5 (35)	3,0 (42)	3,1 (43)
		°C (°F)	-10 (14)	-20 (-4)	-20 (-4)	-20 (-4)

All data provided in this literature is subject to change without notice.

Honeywell cannot be held responsible for incorrect information contained therein.

Honeywell

Honeywell
 Cooling and Refrigeration Controls
 Honeywell AG

Hardhofweg
 D-74821 Mosbach
 Phone (0049) 062 61/8 14 75
 Fax (0049) 062 61/8 14 61
 e-Mail: Cooling.Mosbach@Honeywell.com